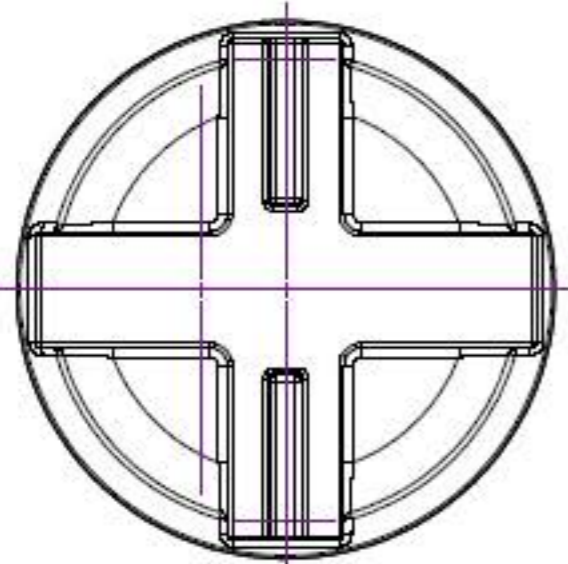
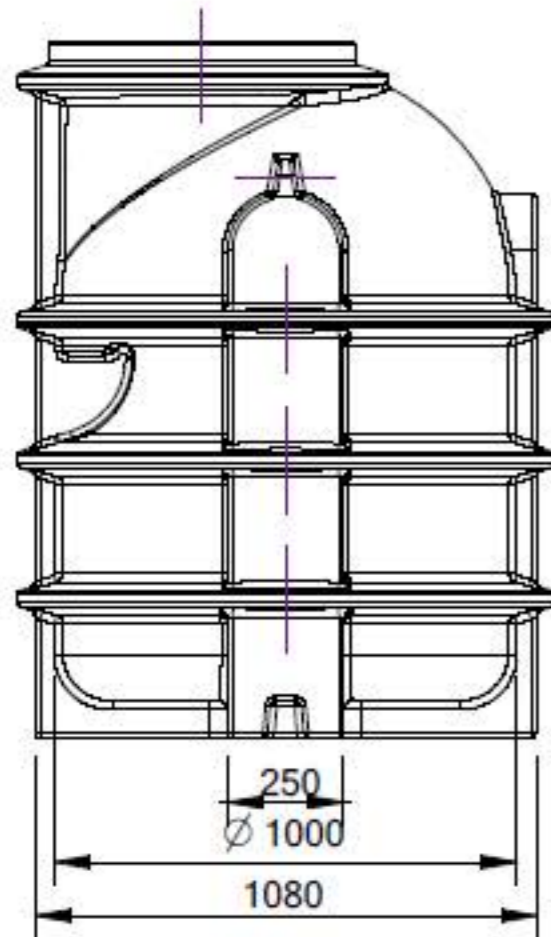
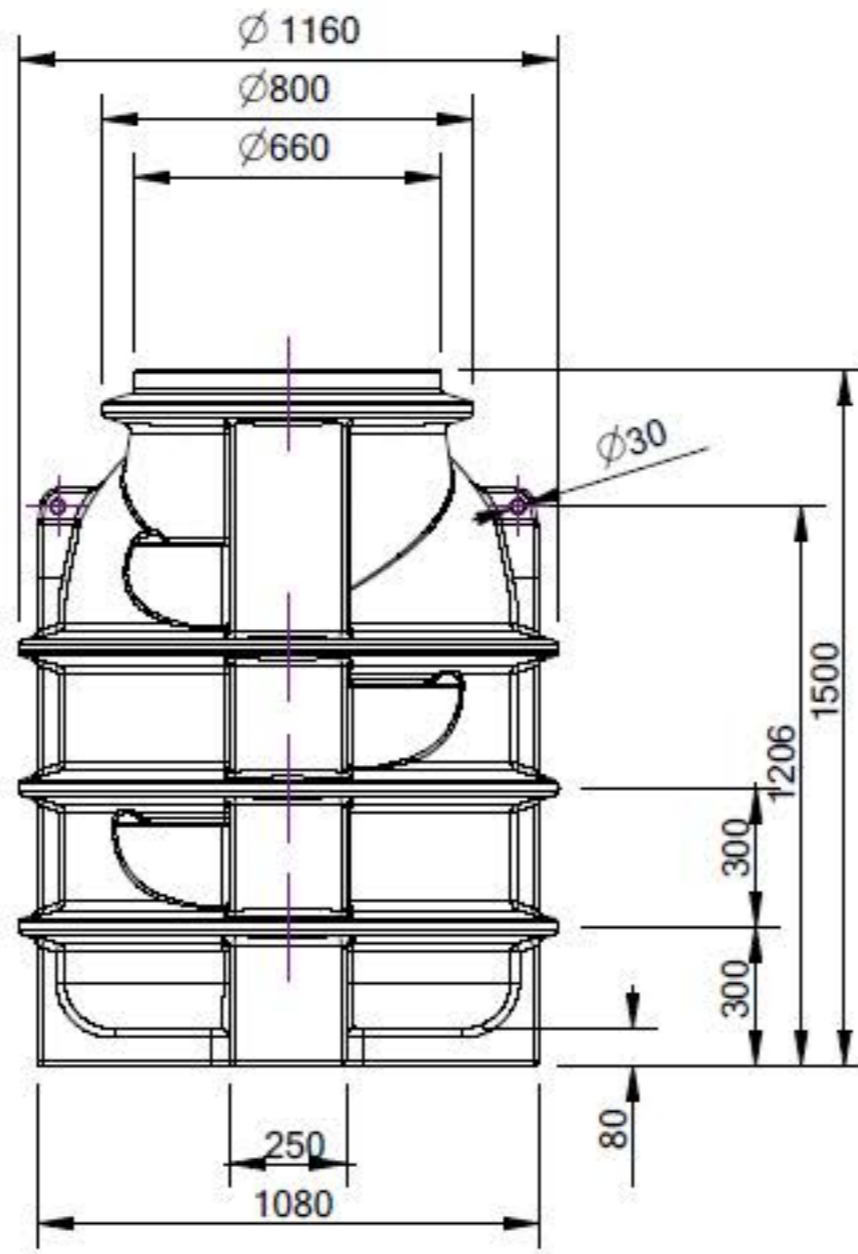
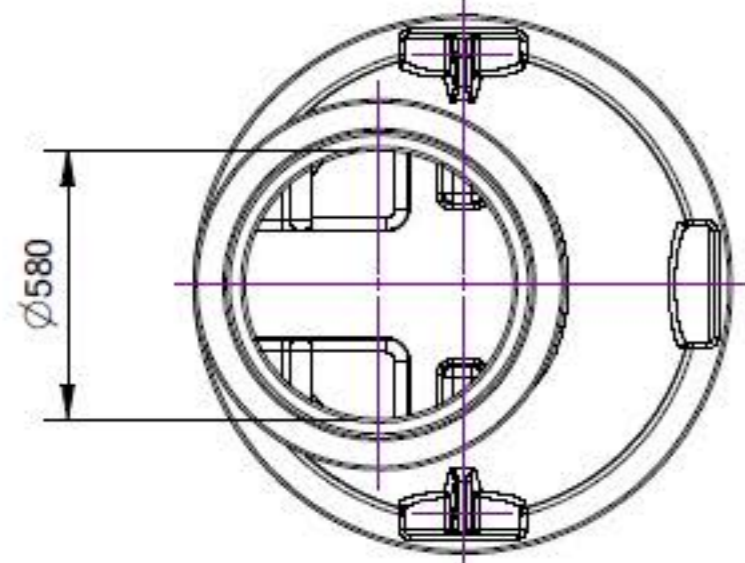


RevNo	Revision note	Date	Signature	Checked
-------	---------------	------	-----------	---------



Itemref	Quantity	Title/Name, designation, material, dimension etc PE 55kg, 1,2m3			Article No./Reference	
Drawn by Ing. Jan Burian	Checked by	Approved by - date	File name	Date 08.11.2020	Scale 1:1	
ROTO-V-1000/1500				Edition	Sheet 1 OF 1	