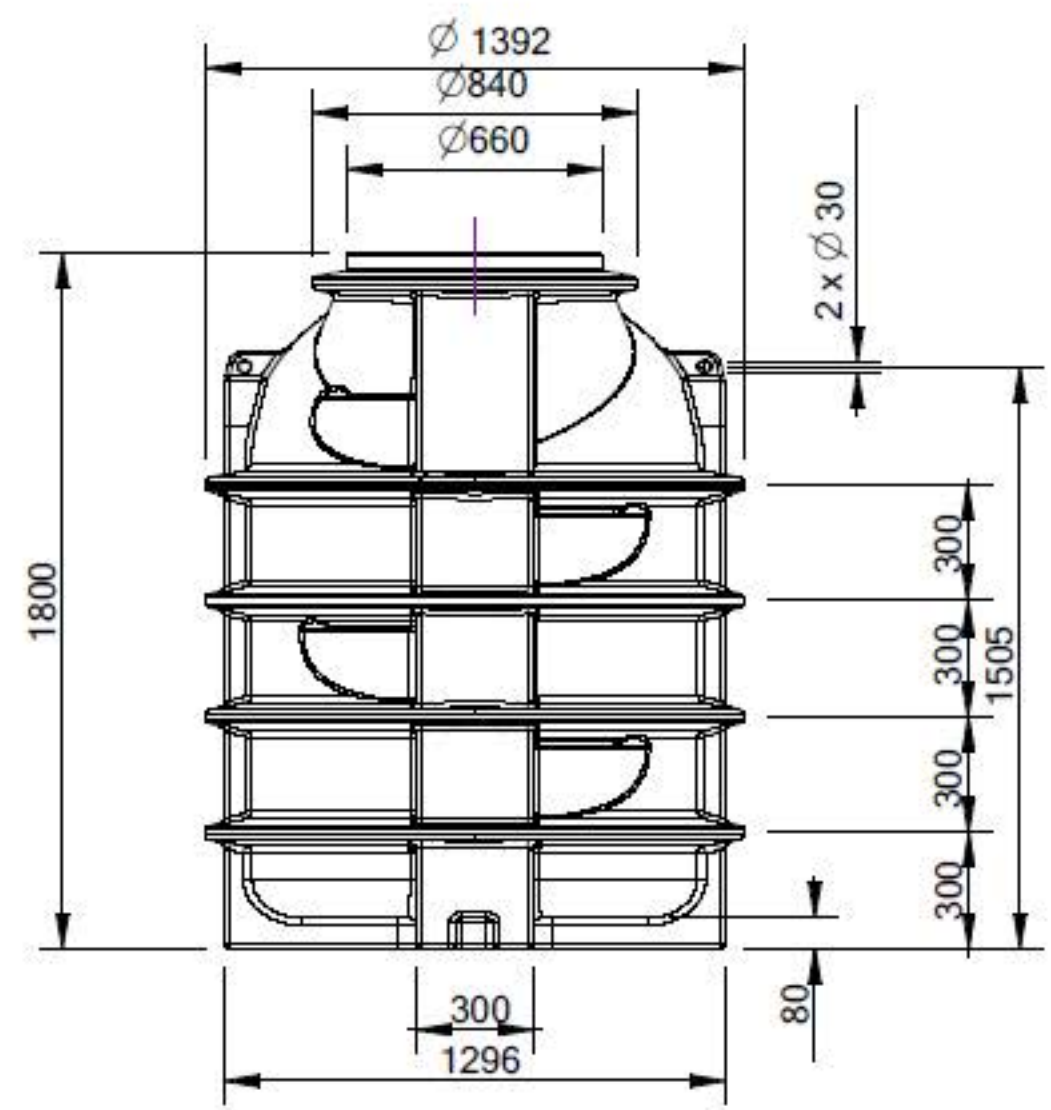
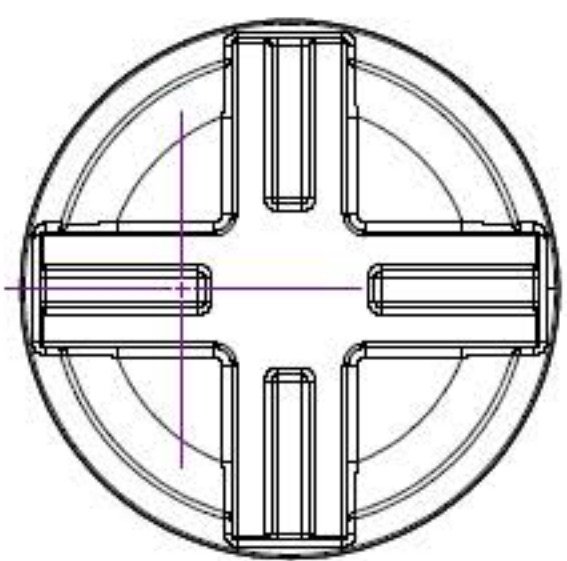
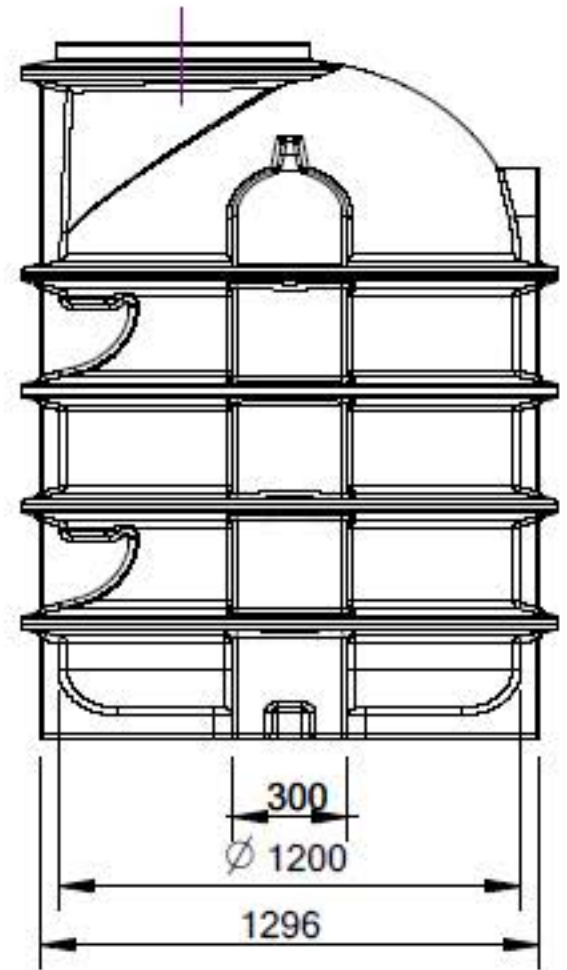
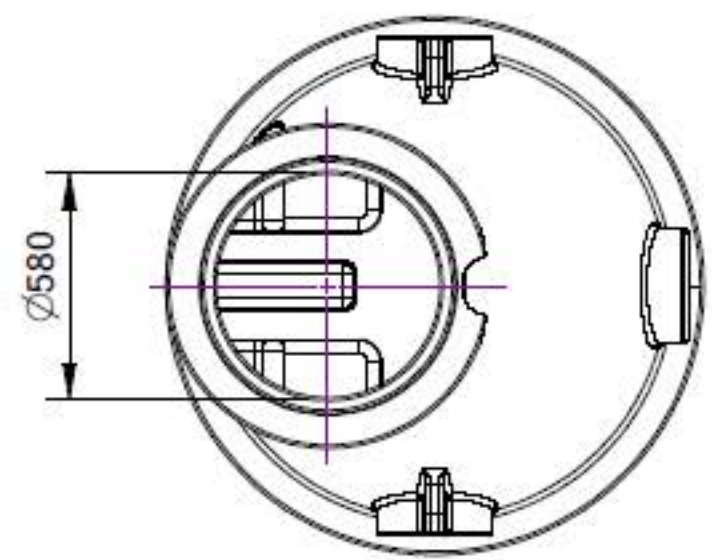


RevNo	Revision note	Date	Signature	Checked
-------	---------------	------	-----------	---------



Itemref	Quantity	Title/Name, designation, material, dimension etc PE 100kg, 2 m3		Article No./Reference	
Drawn by Ing. Jan Burian	Checked by	Approved by - date	File name	Date 08.11.2020	Scale 1:1
ROTO-V-1200/1800					
			Edition	Sheet 1 OF 1	